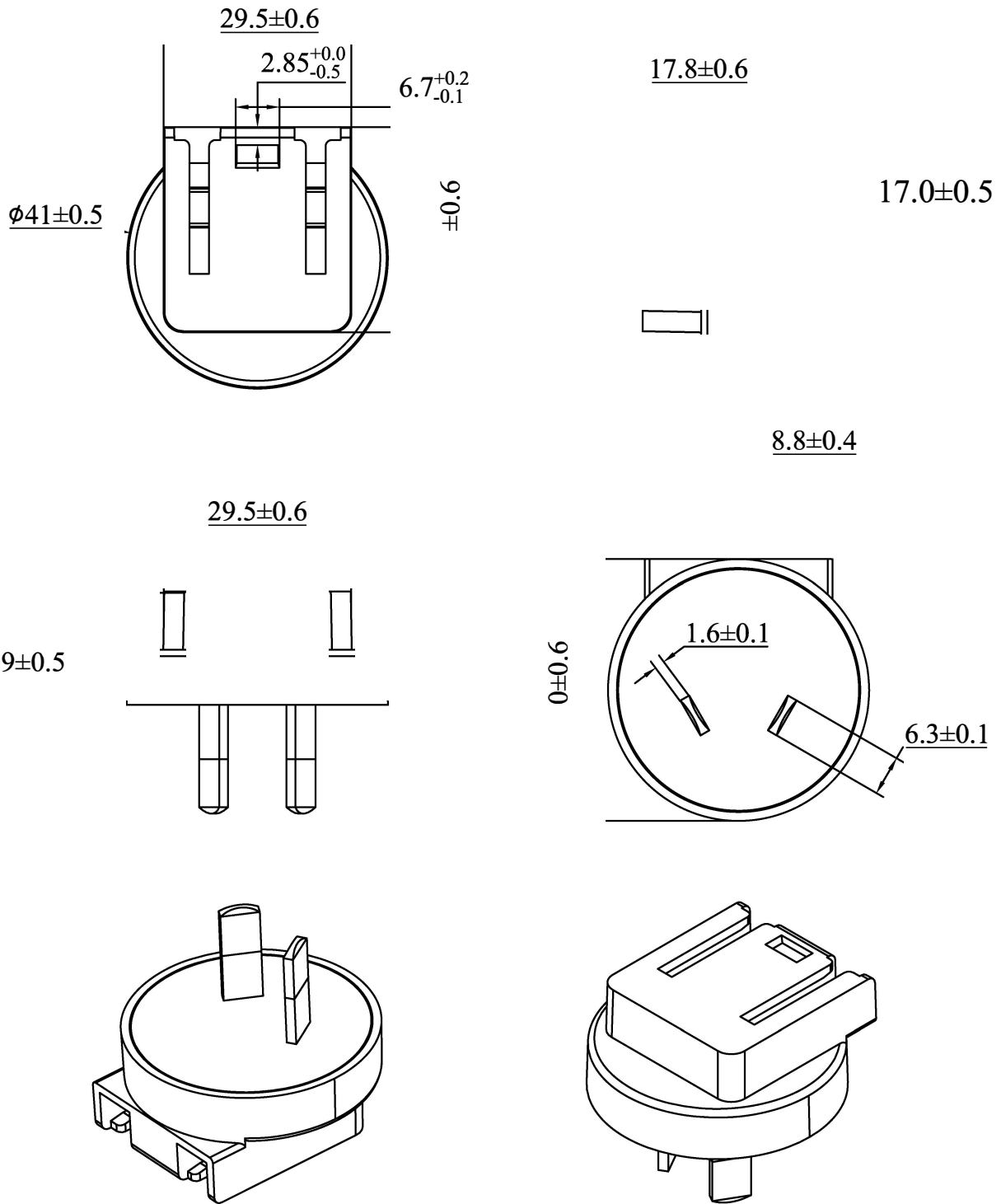




SAA AC Plug Dimension(unit:mm)



LCP-SAA Plug Black RoHS+RAHS

300300882000(20100341)

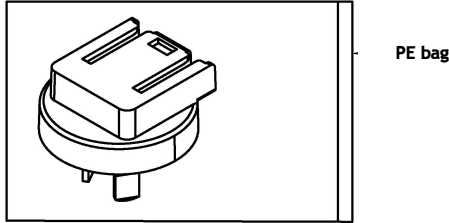
Part No.: KT1001AU



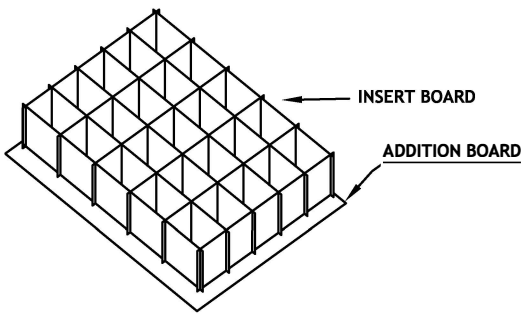
Package Method(unit:mm)

Technical Requirement:

1. Carton: 2 layers wall, 6mm thickness.
Outline dimension: 540mm × 390mm × 276mm
2. Additional board:
3 mm thickness
3 pieces per carton.
3. Humidity protector:
Each plug packed in a small PE bag.
All plugs packed in a big PE bag with an outer carton.
4. Quantity:
2 layers per carton.
200 pcs. per layer.
400 pcs. per carton.
5. Weight:
Each carton approx. 8.6 kg gross.
Each carton approx. 6.4 kg net.

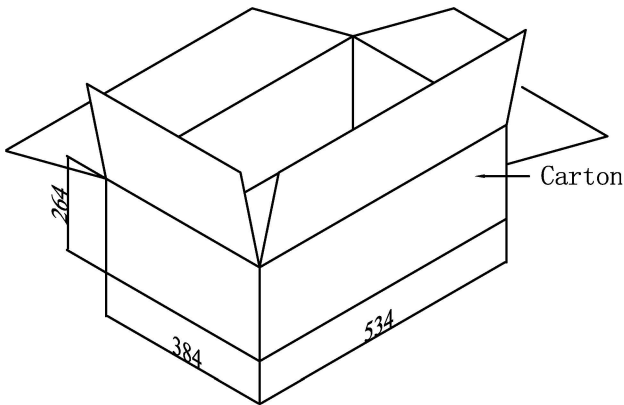


PE bag



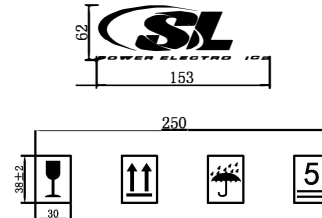
INSERT BOARD

ADDITION BOARD



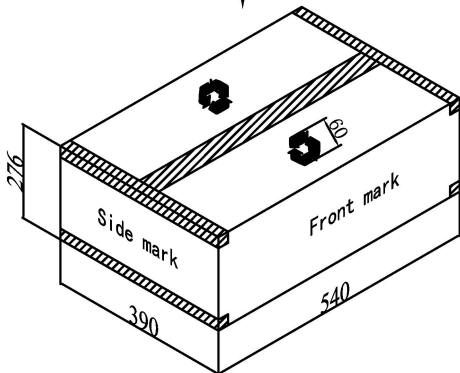
Carton

Side mark



carton label position

Front mark



Side mark

Front mark

MODEL No: _____ DATE CODE: _____
 DESCRIPTION: _____ S/N: _____ TO _____
 ORDER No: _____ QTY: _____
 VOLUME: 54.0x39.0x27.6(CM) WEIGHT: _____

SL Power Electronics Co.,Ltd

1. Words: SL Electronics Co.,Ltd. is Arial, 20mm high
Other words is Arial, 13mm high
2. Color: Recycle logo 60mm high, center position;
words & logo is black.