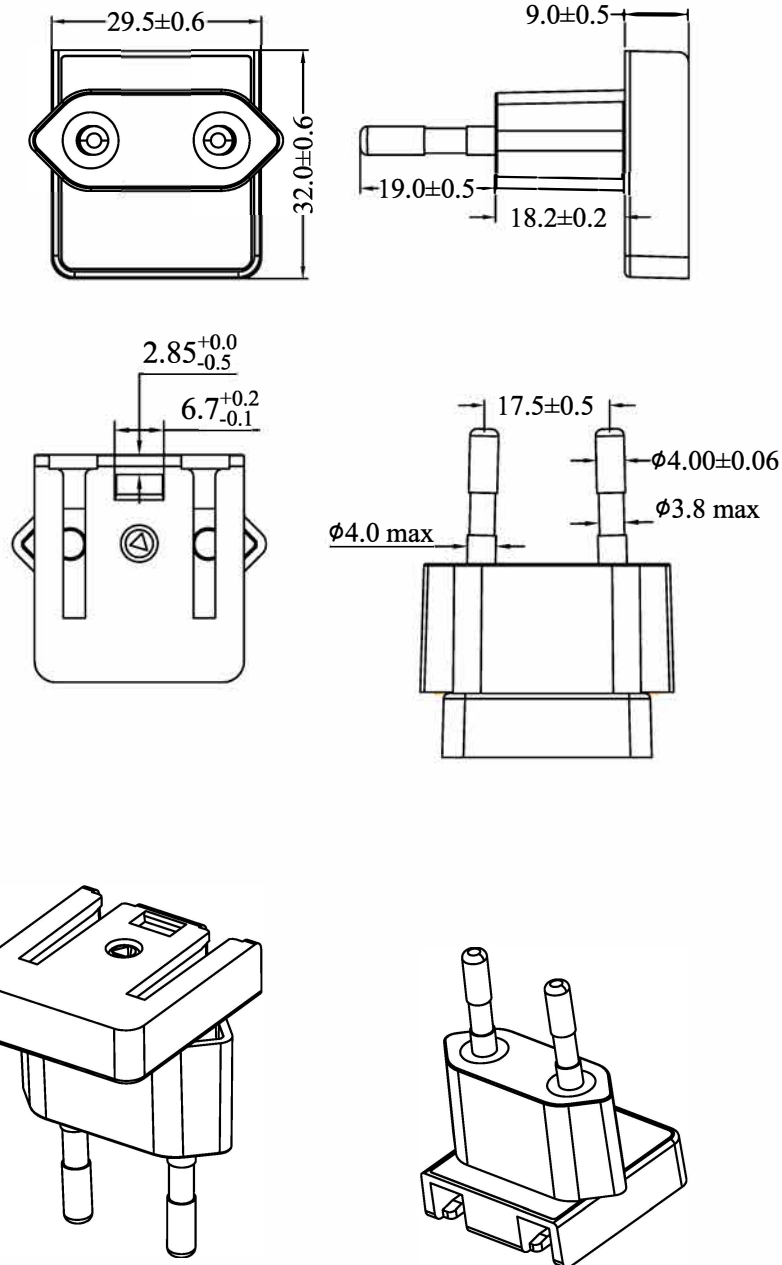




VDE AC Plug Dimension(unit:mm)



LCP-VDE2 Plug with screw Black RoHS+RAHS

300301211000(20100681)

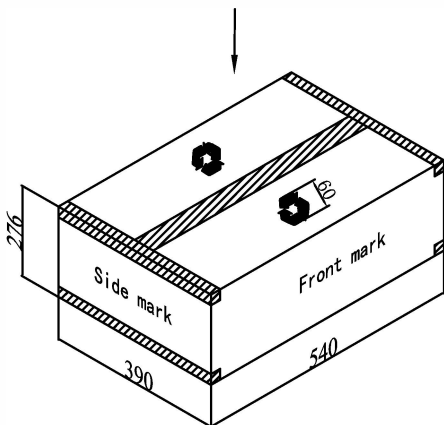
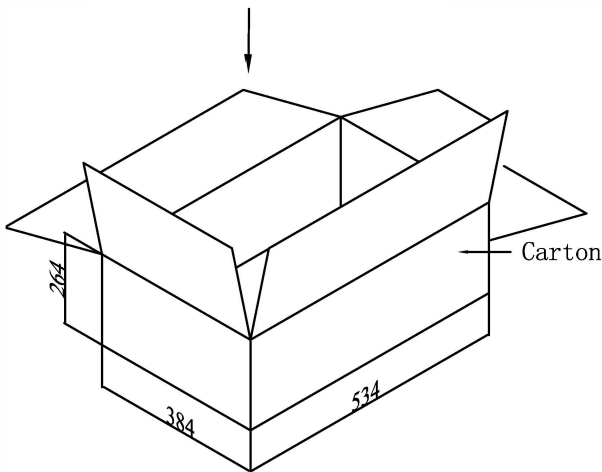
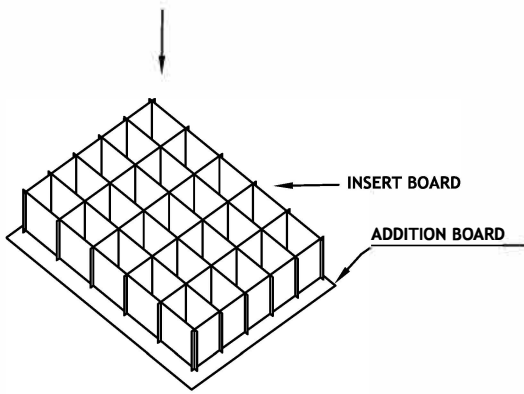
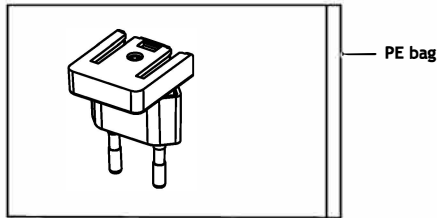
Part No.: KT1001EU



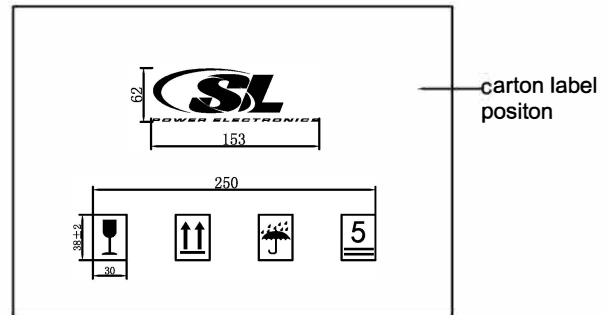
Package Method(unit:mm)

Technical Requirement:

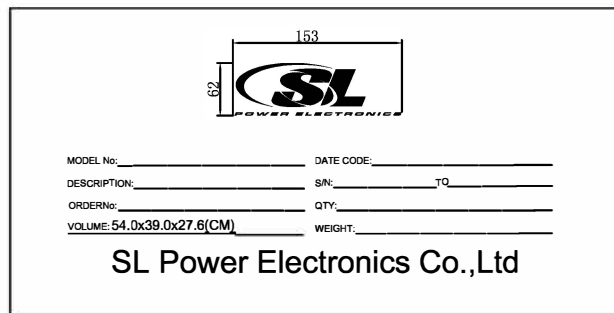
1. Carton: 2 layers wall, 6mm thickness.
Outline dimension: 540mm × 390mm × 276mm
2. Additional board:
3 mm thickness
3 pieces per carton.
3. Humidity protector:
Each plug packed in a small PE bag.
All plug packed in a big PE bag with an outer carton.
4. Quantity:
2 layers per carton.
200 pcs. per layer.
400 pcs. per carton.
5. Weight:
Each carton approx. 9.4 kg gross.
Each carton approx. 7.2 kg net.



Side mark



Front mark



1. Words: SL Electronics Co.,Ltd. is Arial, 20mm high
Other words is Arial, 13mm high
2. Color: Recycle logo 60mm high, center position ;
words & logo is black.